

GIANT 2 – MOBILE FILTER WITH COMPRESSED AIR CARTRIDGE SELF-CLEANING SYSTEM

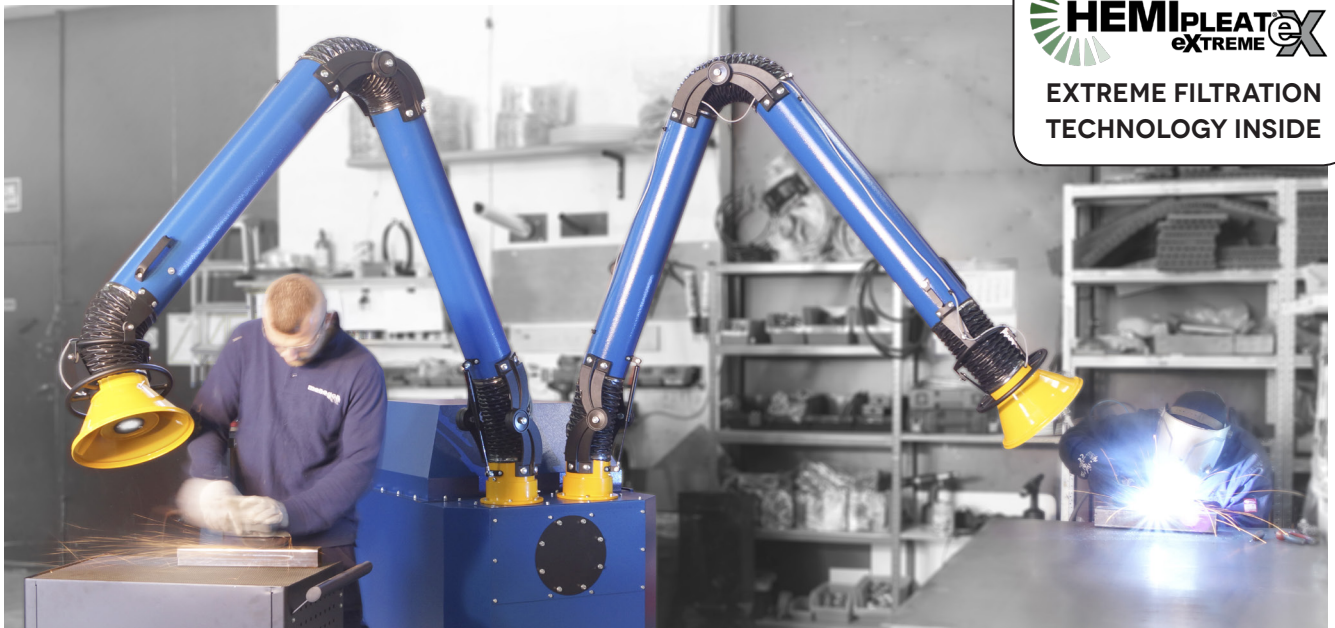
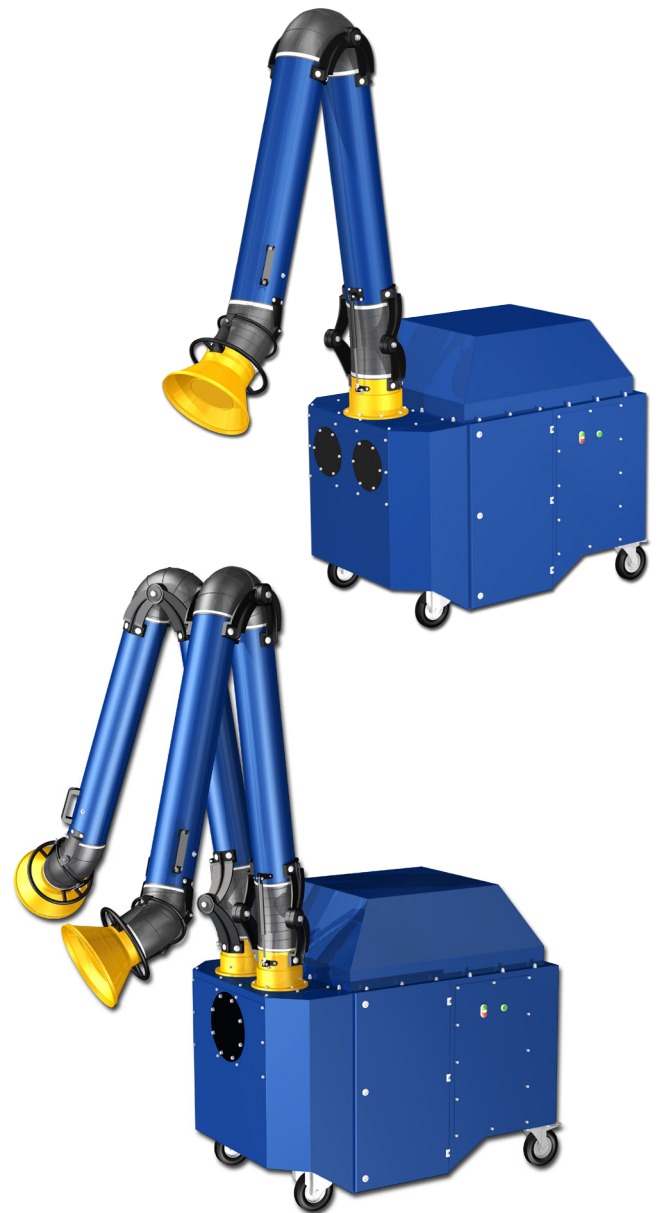
Giant 2 Mobile Cartridge Filter is designed to exhaust and filter dry air borne pollutants especially at welding, grinding, polishing, cutting of metals and plastics. Giant 2 features 3 stage filtration with metal mesh prefilter (spark-trap), main cartridge filter and outlet activated carbon filter. Standard manual (timer in option) regeneration system is can be used to clean main cartridge during filter operation. Giant 2 is advised for most demanding applications where the constant exhaust and filter operation is required. We recommend Oskar 160 or Oskar 200 of 2 or 3 m reach standing models as at source capture devices for Giant filters. Optional configurations feature LED lights built-in Oskar arm hood as well as photosensor triggered automatic operation.

APPLICATION

- dry dusts or fumes capture and filtration especially at welding, grinding, cutting and many more processes (excluding corrosive, chemically aggressive, explosive and flammable gaseous mixtures)
- designed for continuous operation at heaviest and most demanding applications

CONSTRUCTION

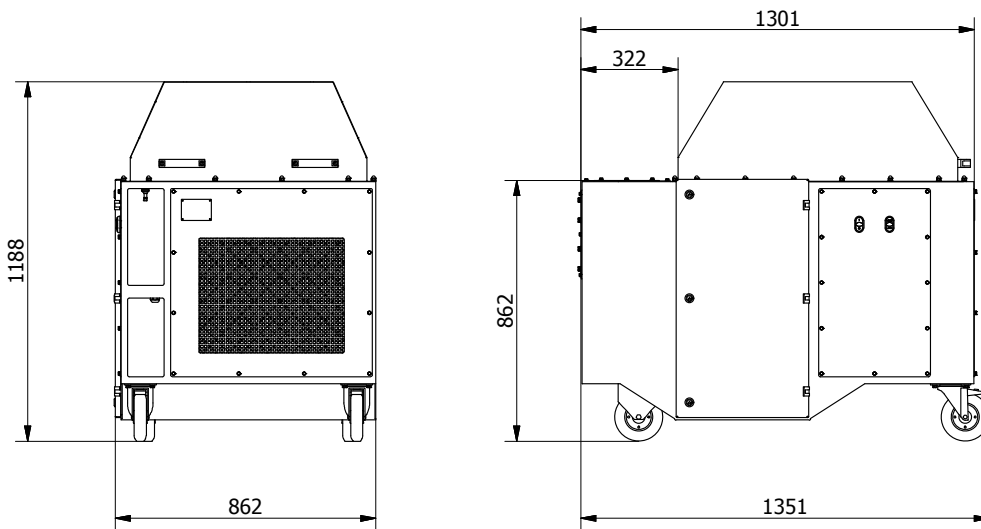
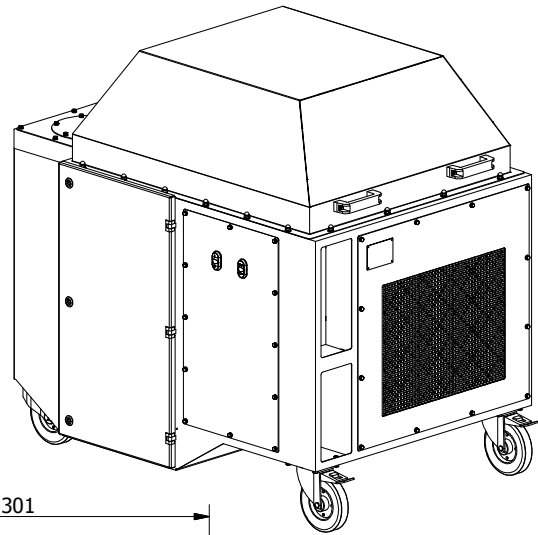
- aluminium impeller 2,2 kW fan unit
- three stage filtration
- standard manual compressed air cartridge cleaning system
- 20 litre compressed air tank
- easy access dust drawers
- simple cartridge maintenance and exchange
- 2 swivel casters with brakes for more mobility
- heavy duty welded and powder coated construction



EXTREME FILTRATION
TECHNOLOGY INSIDE

TECHNICAL DATA

Airflow	2000 m ³ /h
Fan	2,2 kW
Fan rotation speed	2800 RPM
Standard power supply	3x 400 V +N+PE / 50 Hz, AC
Current Rating	4,55 A
Weight without arm	215 kg
Noise level	75 dB(A)
Filtration efficiency	99% @ 0,5 µm
Pre-filter	metal mesh
Main filter	2 x cartridge filter (36,6 m ²)
Outlet filter	G4 activated carbon material



All diameters are given in mm

GIANT 2 – MOBILE CARTRIDGE FILTER

303 101 964 Mobile cartridge filter unit Giant 2, nominal airflow 2000 m³/h. Including metal mesh spark trap, main filter cartridge 36,6 m², activated carbon impregnated outlet filter, motor 2,2 kW, 400 V, 50 Hz, 20 l compressed air tank, manual compressed air cleaning for main cartridge regeneration.

GIANT 2 – ARMS AND OPTIONS

W02-01-2020P	Oskar fume arm 2020P, reach 2 m, hood inlet Ø350 mm
W02-01-2030P	Oskar fume arm 2030P, reach 3 m, hood inlet Ø350 mm
W02-01-1620P	2 Oskar fume arms 1620P, reach 2 m, hood inlet Ø315 mm
W02-01-1630P	2 Oskar fume arms 1630P, reach 3 m, hood inlet Ø315 mm
W02-HA-1620P	2 hose arms 2 m, hood inlet Ø315 mm
W02-HA-1630P	2 hose arms 3 m, hood inlet Ø315 mm
P02-80-0101	MOD-L - light kit option with transformer for one Oskar arm
P02-80-0102	MOD-A + ZAR-A - light kit and automatic (welding arc triggered) fan start/stop option for one Oskar arm
P02-80-0201	MOD-L - light kit option with transformer for two Oskar arms
P02-80-0202	MOD-A + ZAR-A - light kit and automatic (welding arc triggered) fan start/stop option for two Oskar arms
P02-80-0301	TC-1 - Timer controlled compressed air cleaning operation

GIANT 2 – SPARE PARTS

242080	Main filter cartridge - 18,3 m ²
242079	Main filter cartridge - 12 m ²
240672	Outlet filter (activated carbon impregnated material) G4
240007	Metal mesh spark trap
M03-23-0005	Swivel caster with brake 160
M03-23-0006	Wheel 200