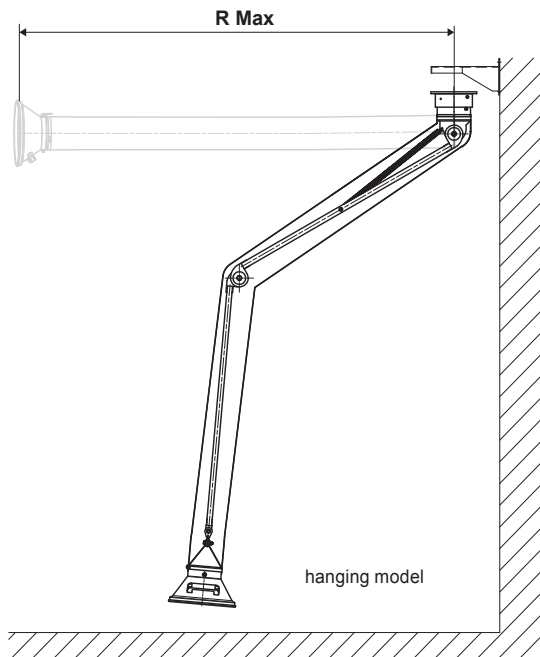
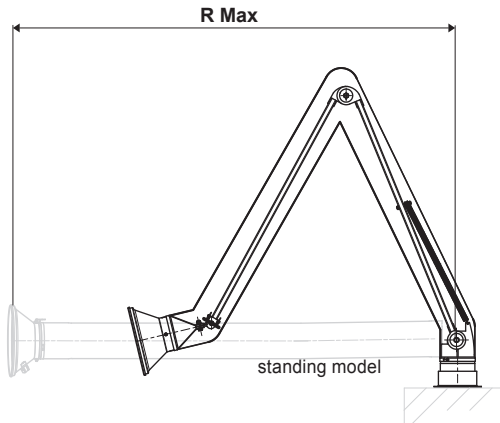


Econ 160 flexible hose fume extraction arm.

Econ 160 flexible hose extraction arm is designed for local air pollution control at less demanding applications. This product is made of flexible hose and internal support mechanism with counter support spring and friction disc joints. Econ 160 hose extraction arm is cost effective alternative to tube arms used for frequent air pollution source capture in workshop environment. There are two models of this product. Hanging model can be used on wall or overhead. Standing models are designed to work right on work bench, table surface or on mobile filter units.



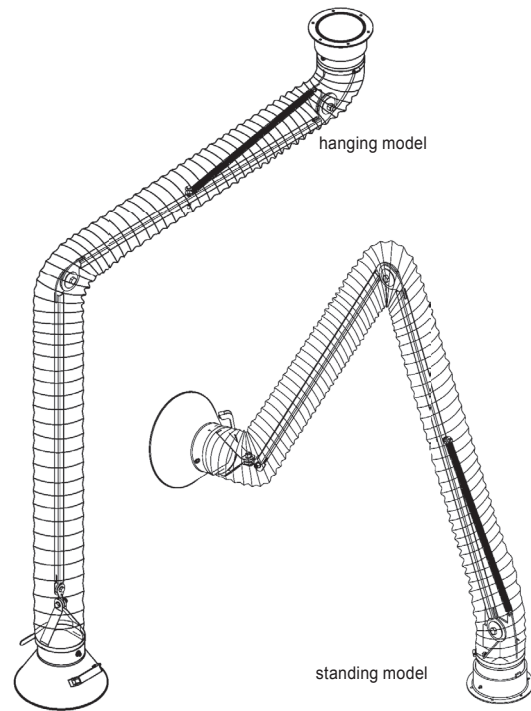
Model*	Arm Reach Rmax [m]	Arm diameter [mm]	Hood inlet [mm]	Arm version
HA1620	2,0	160	315	hanging
HA1630	3,0	160	315	hanging
HA1620P	2,0	160	315	standing
HA1630P	3,0	160	315	standing

Typical application

- welding, light dusts (low usage)
- standard temperature resistance up to 80°C
- recommended airflow range 800÷1000 m³/h
- local air pollution capture excluding chemically aggressive fumes and gases

Standard construction

- all adjustments in the inside
- aluminium hood (yellow) with plastic grab handle
- air damper built-in the hood
- black PVC flexible hose (temperature resistance up to 80°C)



Econ 160 hose arms – hanging models

- W02-HA-1620 Econ hose arm HA1620, reach 2m, diameter 160mm, hood inlet 315mm
- W02-HA-1630 Econ hose arm HA1630, reach 3m, diameter 160mm, hood inlet 315mm

Econ 160 hose arms – standing models

- W02-HA-1620P Econ hose arm HA1620P, reach 2m, diameter 160mm, hood inlet 315mm
- W02-HA-1630P Econ hose arm HA1630P, reach 3m, diameter 160mm, hood inlet 315mm

Econ 160 hose arms – accessories and options

- P07-01-0004 Mounting bracket WS-160
- P07-01-0013 Mounting bracket WSD-160 (longer version)
- P08-11-0004 Connection flange diameter 150mm steel
- P08-11-0005 Connection flange diameter 160mm steel

Econ 160 hose arms – spare parts

- M01-21-1203 Complete black PVC hose for hose arm model HA1620
- M01-21-1213 Complete black PVC hose for hose arm model HA1630
- P02-02-2001 Complete hose arm hood diameter 160mm/315mm
- M01-45-004 Spring 600 for hanging hose arms